



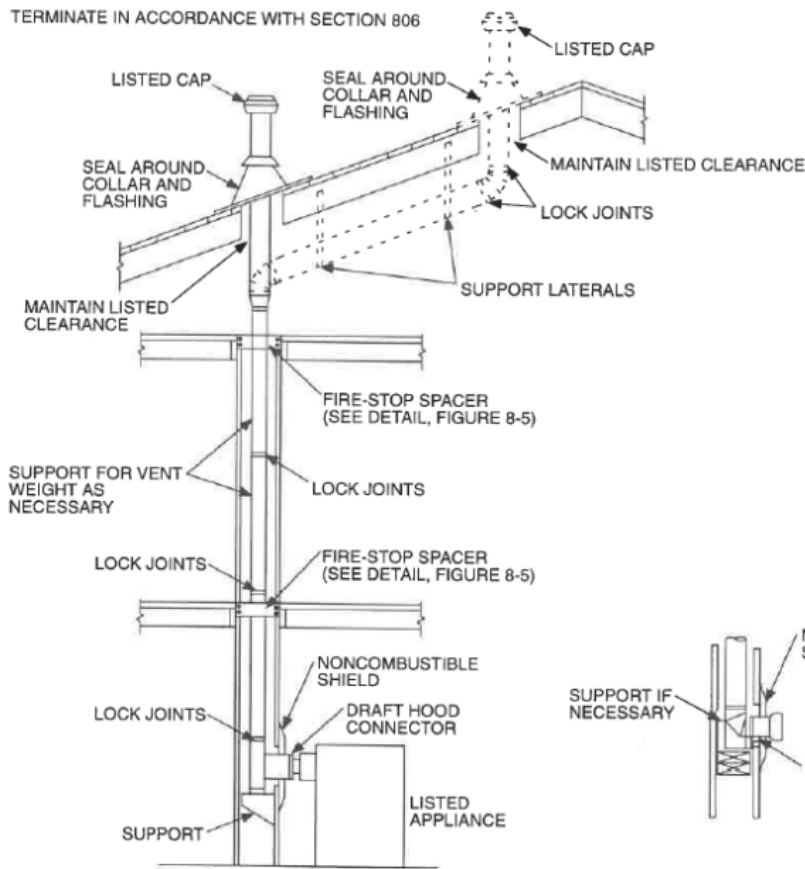
ONE TWIN PINES LANE,  
SUITE 110  
BELMONT, CA 94002  
(650) 595-7422  
www.belmont.gov

# Community Development Permit Center

## APPLIANCE VENTING & FIREBLOCK/DRAFT STOP (M9)

LAST REVISED:  
**2022 CA RESIDENTIAL CODE**  
**R302.11 – R302.14, R1003.19**

BUILDING OFFICIAL:  
**DINO FRANCESCONI**

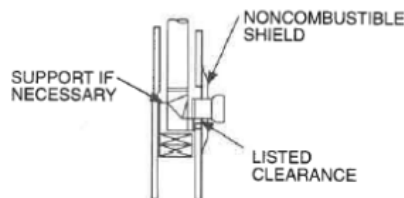


TYPICAL TYPE B ROUND VENTING SYSTEM

FIGURE 8-4

**R1003.19 Chimney fireblocking.** Spaces between chimneys and floors and ceilings through which chimneys pass shall be fireblocked with noncombustible material securely fastened in place. The fireblocking of spaces between chimneys and wood joists, beams or headers shall be self-supporting or be placed on strips of metal or metal lath laid across the spaces between combustible material and the chimney.

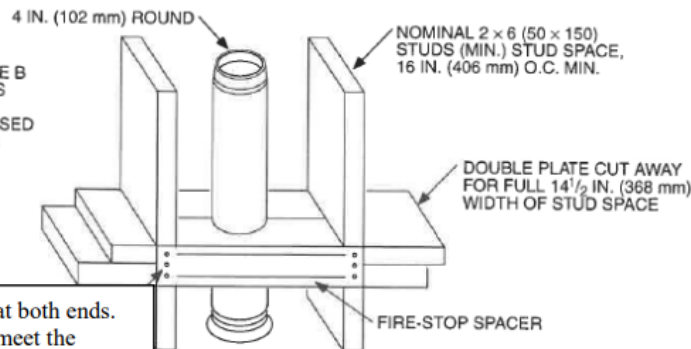
**2022  
CA MECHANICAL  
CODE  
802.6**



TERMS OF LISTING: B-1  
TYPE B ROUND

THE NUMBER FOLLOWING THE B  
IS THE CLEARANCE IN INCHES

FIRE-STOP SPACERS TO BE USED  
AT EVERY FLOOR OR CEILING



Fire stop spacer nailed to plate at both ends.  
The spacer illustrated does not meet the  
requirements of CBC Section 2308.9.8

TYPICAL TYPE B ROUND VENTING SYSTEM FIRE-STOP SPACER