



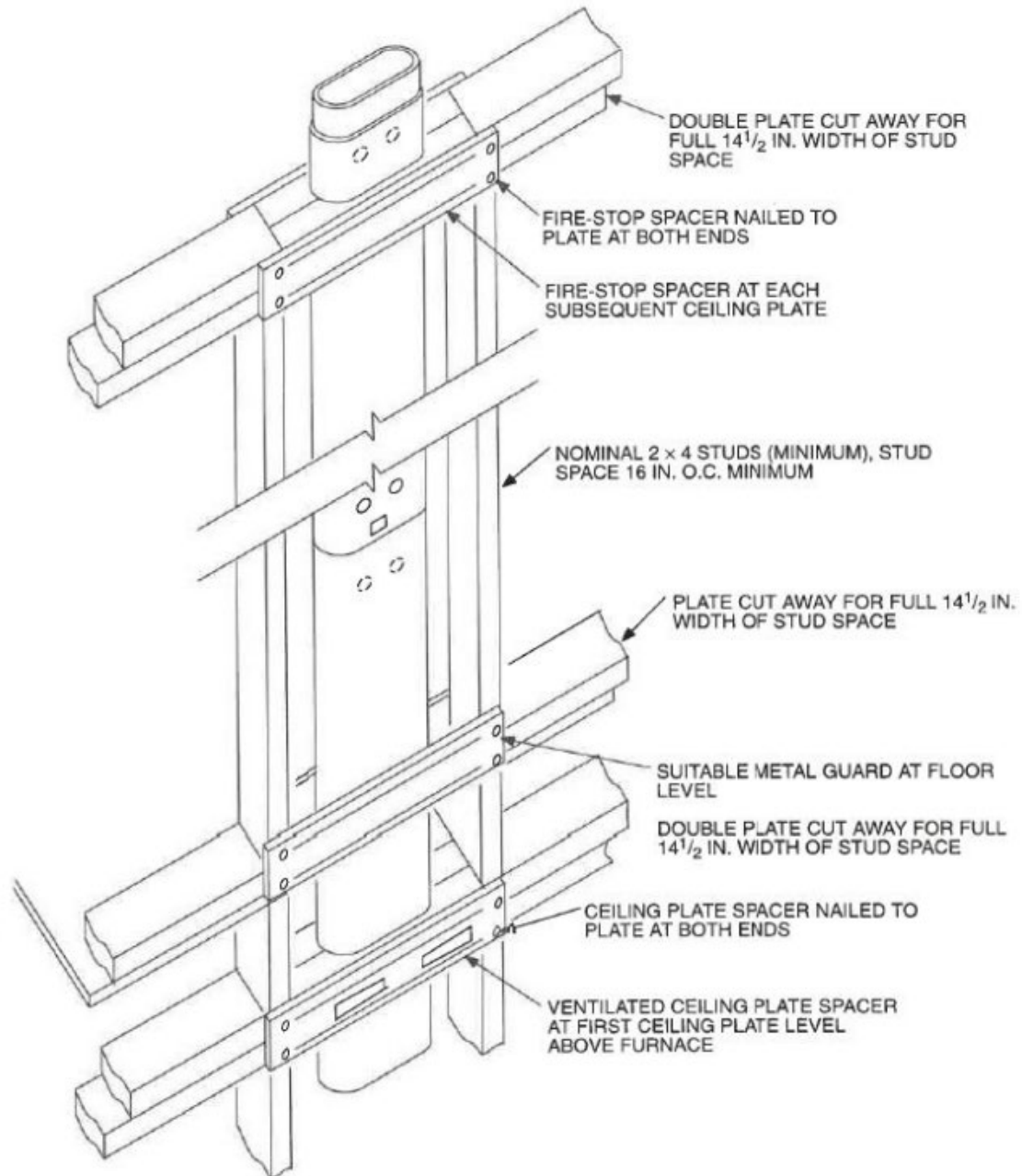
Community Development Permit Center

APPLIANCE VENTING (M10)

ONE TWIN PINES LANE,
SUITE 110
BELMONT, CA 94002
(650) 595-7422
www.belmont.gov

LAST REVISED:
2022 CA MECHANICAL CODE
802.6

BUILDING OFFICIAL:
DINO FRANCESCONI



SI: 1 inch = 25.4 mm.

TYPICAL TYPE BW INSTALLATION REQUIREMENTS FOR BW VENTS IN BUILDINGS MORE THAN ONE STORY IN HEIGHT